

# SIMFLO®

## SLC-4

# INTRODUCING THE NEW SLC-4 DISCHARGE HEAD

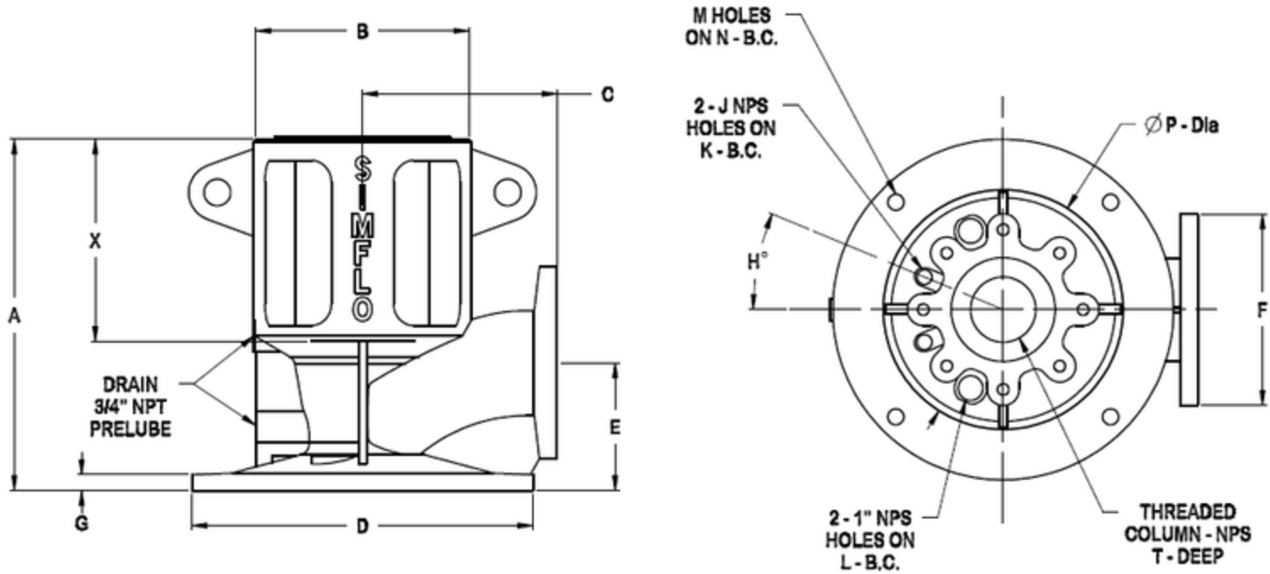
Introducing the new SLC-4 Discharge Head, SIMFLO's enhanced discharge head design. The SLC-4 maintains all critical dimensions of the existing SPC-4 discharge head, ensuring compatibility with current installations while incorporating design refinements that increase durability, ease of handling and installation flexibility.

Engineered with the same commitment to quality and long-term performance that customers expect from SIMFLO, the SLC-4 is built to withstand demanding operating conditions while helping simplify field installation and service. Its updated design reflects SIMFLO's ongoing focus on continuous improvement, delivering a modernized solution that supports both current system requirements and future installations.

### FEATURES & BENEFITS:

- MAINTAINS ALL CRITICAL DIMENSIONS OF THE EXISTING SPC-4 DISCHARGE HEAD, ENSURING COMPATIBILITY WITH CURRENT INSTALLATIONS.
- REDESIGNED LIFTING LUGS PROVIDE IMPROVED LIFTING STRENGTH AND ENHANCED HANDLING SAFETY THROUGH OPTIMIZED PLACEMENT AND GEOMETRY
- CONSTRUCTED FROM DUCTILE IRON FOR DURABILITY AND LONG SERVICE LIFE
- EQUIPPED WITH A 150 LB. FLAT-FACE (FF) DISCHARGE FLANGE
- DUAL-BASE DESIGN ACCOMMODATES:
  - BORED FOR 4" THREADED COLUMN PIPE
  - INCLUDES BOLT PATTERN FOR FLANGES COLUMN ATTACHMENT
  - CAN BE USED WITH HANGER FLANGE





Model Number	Size	A	B	C	D	E	F	G	H	J	K	L	M	N	P	T	X
SLC-4	4	16.50	10.0	9.13	16.00	6.00	9.0	0.75	22.5	1/2	8.00	8.00	(4x) .75	14.25	11.25	1.38	9.50

Model Number	Weight [lbf]	Discharge flange	Column type	Max Operating Hanging Wt. [lbf]	Max Lifting Load [lbf]	*Setting [ft]	Clevis Size [in]	Gr. A Clevis WLL [lbf/ ea]	Gr. B Clevis WLL [lbf/ ea]
SLC-4	115	150#	Threaded / Flanged	20000	20000	250	1	19000	30000



LEARN MORE



GLOBAL EXCELLENCE  
IN PUMP SOLUTIONS.

